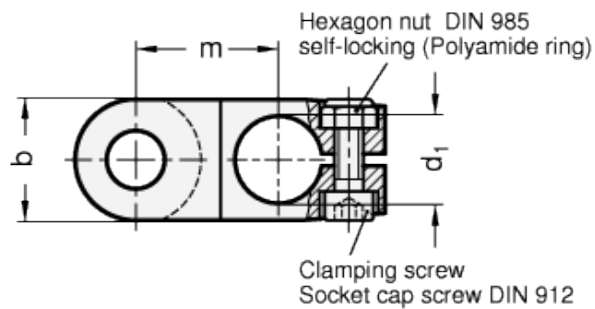
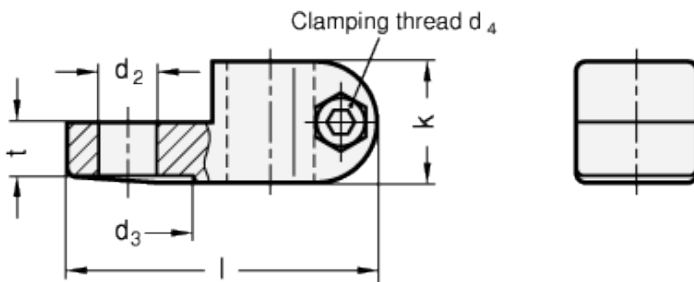
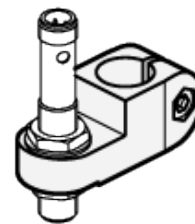
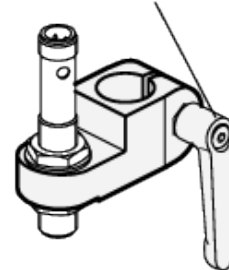


GN 273.4

Sensor holders



Adjustable clamping lever GN 911



technical informations

Material
Aluminium.

Finish

Version SW: RAL 9005 black colour, matte finish, epoxy resin coating.

Clamping screws

Identification no. 2: with AISI 304 stainless steel-clamping screw DIN 912 and nut DIN 985.

Assembly

The standard clamping bolts are socket cap screws DIN 912, supplied assembled. They can be replaced by clamping kits GN 911 (description see table of dimensions).

Features and applications

The aluminium design guarantees a highly safe and secure clamping action and safe positioning.

The clamping bore of the sensor holders GN 273.4 is machined and designed for construction tubings GN 990 or DIN 2391, DIN 2395 and DIN 2462 respectively.

Accessories

- Tubings [GN 990](#).
- Clamping kits [GN 911](#) (clamping handles GN 300.1 with distance bushing).

Standard Elements	Main dimensions									Clamping kits	Weight
Description	d ₁	d ₂	b	d ₃	d ₄	k	l	m	t _{-0.5}	For d ₄	g
GN 273.4-B12-B12-2-SW	B 12	B 12	25	27	M 6	25	64	29.5	11	GN 911-M6-22	60
GN 273.4-B14-B12-2-SW	B 14	B 12	25	27	M 6	25	64	29.5	11	GN 911-M6-22	60
GN 273.4-B16-B12-2-SW	B 16	B 12	25	27	M 6	25	64	29.5	11	GN 911-M6-22	60
GN 273.4-B18-B12-2-SW	B 18	B 12	25	27	M 6	25	64	29.5	11	GN 911-M6-22	60
GN 273.4-B12-B18-2-SW	B 12	B 18	25	27	M 6	25	64	29.5	11	GN 911-M6-22	60
GN 273.4-B14-B18-2-SW	B 14	B 18	25	27	M 6	25	64	29.5	11	GN 911-M6-22	60
GN 273.4-B16-B18-2-SW	B 16	B 18	25	27	M 6	25	64	29.5	11	GN 911-M6-22	60
GN 273.4-B18-B18-2-SW	B 18	B 18	25	27	M 6	25	64	29.5	11	GN 911-M6-22	60



STANDARD MACHINE ELEMENTS WORLDWIDE